



LCC Modelling System

B 00-36 00 gauge small drive through goods shed

**All drawings are not in scale.
Some proportions on drawings may differ from reality.**

For additional elements for modification and extensions please visit our website at www.lcut.co.uk or email us at contact@lcut.co.uk

Building footprint: 94mm long x 113mm wide including canopy and loading platform

Bundle contains:

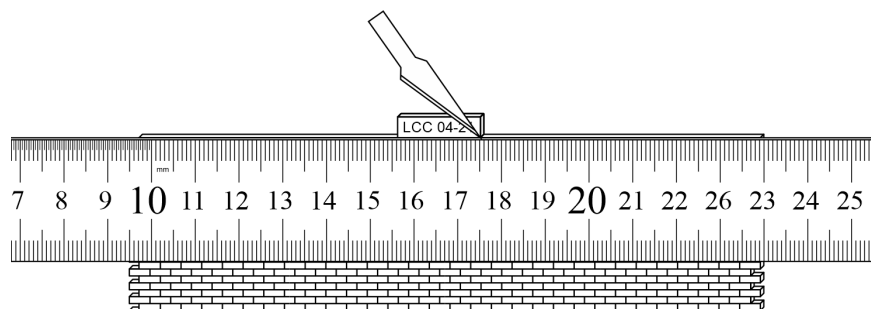
- 1x LCC 00-09
- 1x LCC 00-24A
- 1x LCC 00-24B
- 1x LCC 00-48
- 2x LCC 04-02
- 2x LCC 04-03
- 1x LCC 04-21
- 1x LCC 04-26
- 1x LCC 04-43
- 1x LCC 04-44
- 1x LCC 04-45
- 1x LCC 04-46
- 1x LCC 04-47
- 1x LCC 04-114
- 1x LCC 04-115
- 1x LCC 04-116
- 1x LCC 04-117
- 1x LCC 04-118
- 1x LCC 04-119

We recommend PVA or any other paper/wood glue for the main fibre board parts and resin based glue for 3D printed parts if present.

Painting recommendation:

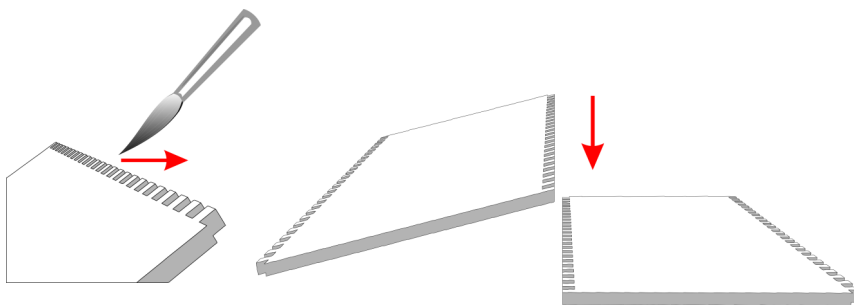
We recommend using acrylic or enamel paints. There is no need to undercoat the surface but it can be done if desired. The material used is porous and relatively forgiving, heavy coats are unlikely to flood the brickwork. If you experience any warping in the material leave it to fully dry and then gently bend it back into shape. Always test any paints in an area that will not be seen or on spare parts/off cuts.

REMOVING PART NUMBER TABS



Using a ruler (ideally flat steel one) remove tabs from the parts. Use multiple light passes with a sharp hobby knife. Tab placement is usually in an area that will be covered with something so small imperfections in cuts are usually not a problem.

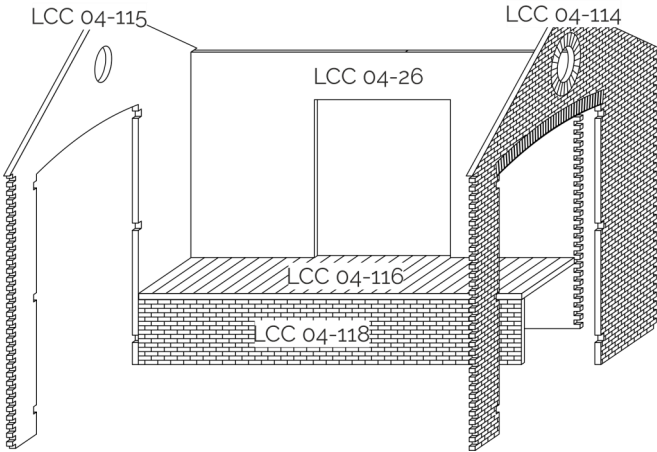
CONNECTING PARTS



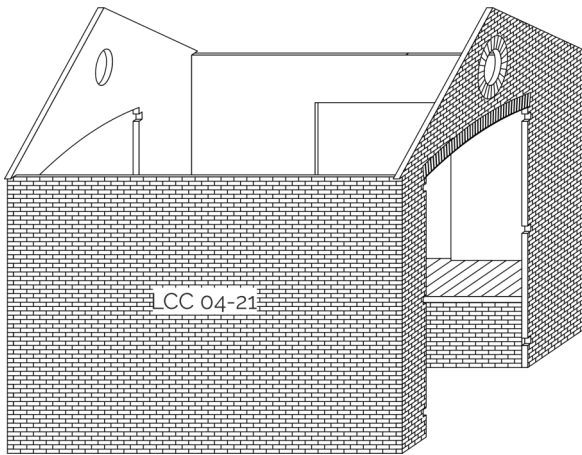
Recommended way of gluing parts together is to apply PVA glue to the interlocking bricks working from back of the part to the front. This ensures there will be no glue overflow on the front, visible side. Then lay the part without glue on flat surface laying on its front (engraved side). Press the part with glue onto the part without glue. Gently push parts together from sides to close the gap. Corners follow a similar procedure but at a right angle. Apply glue only on the inner surface of the corner joint

ASSEMBLY

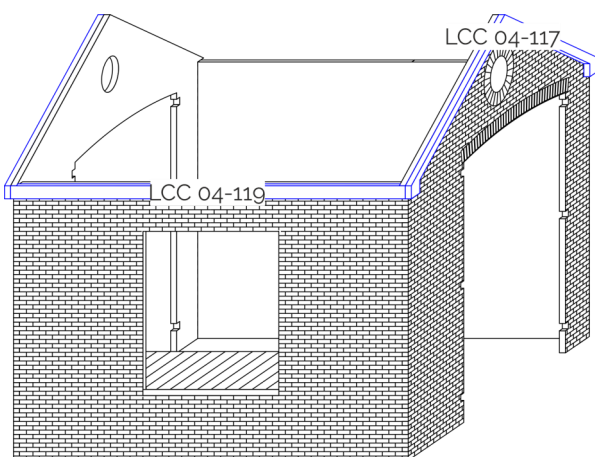
We recommend to paint the model as it is being assembled. Put the 4 walls together with the inner platform, barge boards, fascia boards, and the loading platform then pain that assembly before fitting the roof, canopy and the sliding gates.



Start by joining LCC 04-26 with LCC 04-114 and LCC 04-115. Make sure to glue in the gate panels as shown on the diagram. The wider parts should be facing the loading door. Fit the inner platform which will stabilise the construction.

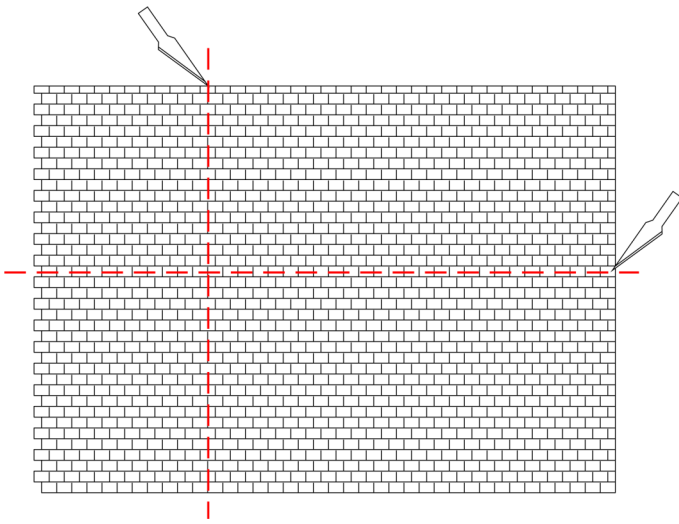


Fit the back wall part number LCC 04-21.



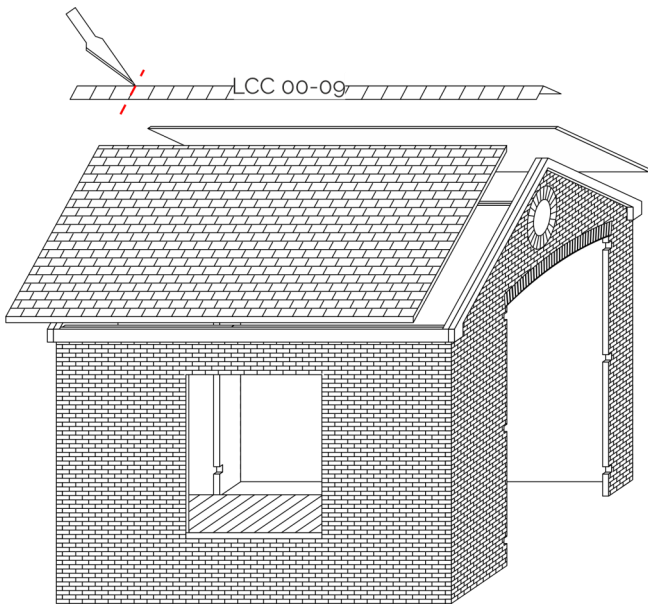
Glue the barge boards LCC 04-117 to the gate panels making sure they are well aligned with the slopes of the gable.

Fit the fascia boards LCC 04-119. Those need trimming to length and should fit well without any gaps on the sides. Fascia boards should be glued in flush with the top edges of LCC 04-21 and LCC 04-26. They should also interface neatly with the barge boards.



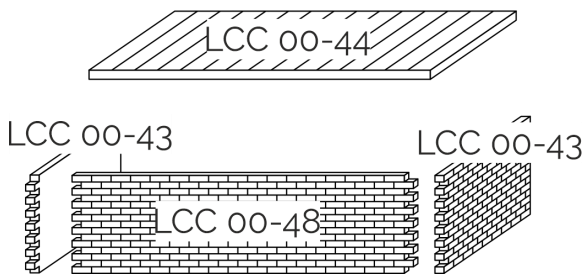
Trim the roof panels LCC 00-24A and LCC 00-24B to size. They should end up approximately 94mm wide and 51mm high. Make sure to cut them oversized at first and then fit to exact size. Roof panels should be resting with the edge touching the fascia boards and the ends should be flush with the barge boards.

Standard roof tiles can be replaced with roof tile strips BM 40-00 if desired (sold separately).



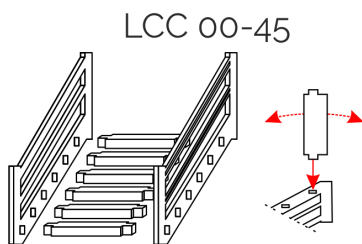
Fit the prepared roof panels to the goods shed. Cover the ridge with LCC 00-09 roof ridge tiles which need to be cut to length.

Assemble the loading platform.

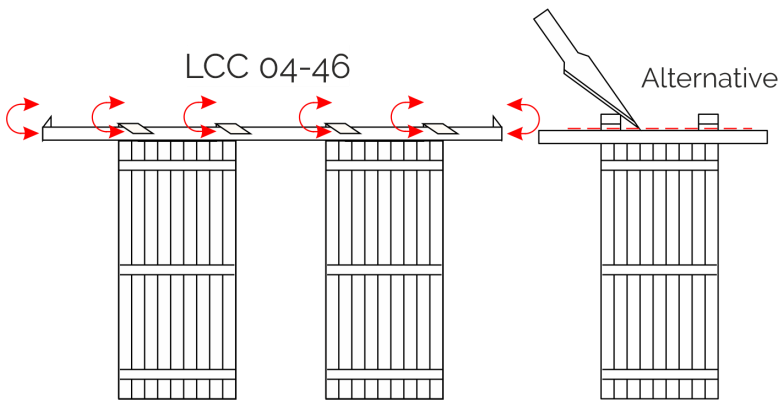


Assemble the steps as shown on the diagram.

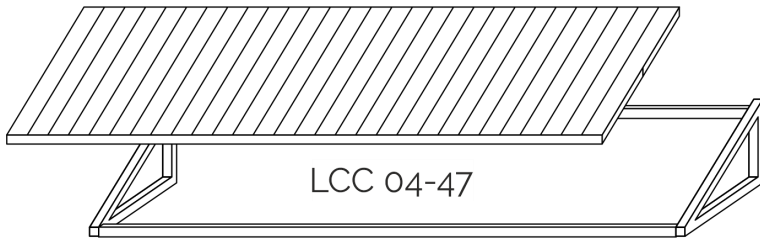
Ensure the wider part of the step is facing towards the back of the steps.



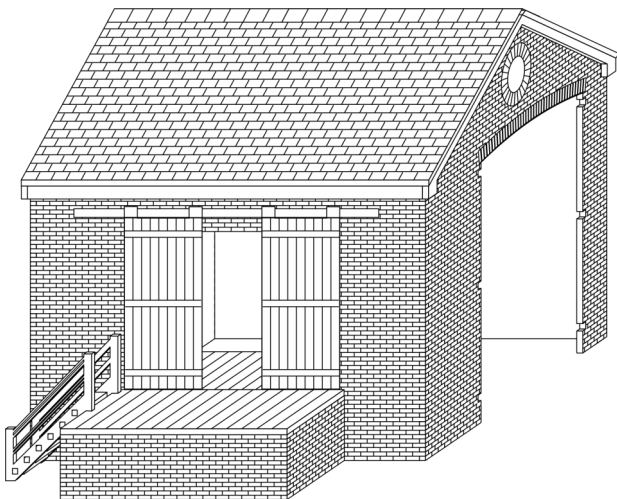
If the steps are a tight fit in the holes use a rocking motion to gently encourage them to fit.



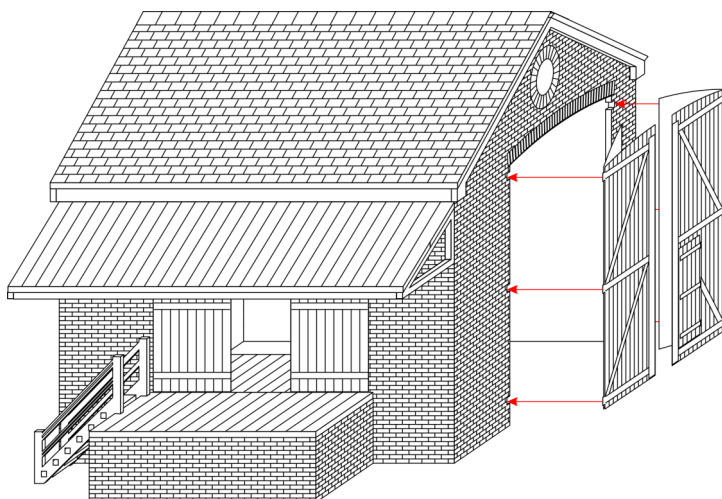
Assemble the sliding gates by first folding the tab on the ends of the rail (only use one rail from the fret for this kit). Glue the rail to the sliding gates and then fold the tabs over to form a hinge. Alternatively after gluing the rail to the gates cut the tabs off from the gates for easier and alternative look.



Assemble the canopy as shown on the diagram.



Fit the platform, steps, and the sliding gates to the goods shed.



Fold the train gates LCC 04-02 and LCC 04-03 in half with some watered down glue between. Make sure to align them neatly and press them for a few minutes between something heavy so they bond well and are flat.

Glue the gates in a desired position.

Finish the build by gluing the canopy over the loading platform making sure it butts up against the fascia board.